

Thermocouple K K

General use **t₆₃** **Ref.**

Thermocouple K
Class 1 (IEC 584-3 guideline). -50 ~ +250 12 sec. **SKG 150**
SKG 250

ABS (-40 ~ +85)

male 220mm, 1.8m 141 mm Ø 4,5 mm

SKG 150 : lg. 150 mm
SKG 250 : lg. 250 mm

Thermocouple K
Class 1 (IEC 584-3 guideline). -40 ~ +1100 12 sec. **SKG 500**

ABS (-40 ~ +85)

male 220mm, 1.8m 141 mm Ø 6 mm

lg. 500 mm

Ambient **t₆₃** **Ref.**

Thermocouple K
Class 1 (IEC 584-3 guideline). -40 ~ +80 10 sec. **SKA 110**

male lg. 110 mm Ø 4,5 mm

10 mm

Thermocouple K
Class 1 (IEC 584-3 guideline). -50 ~ +250 10 sec. **SKA 150**

ABS (-40 ~ +85)

male 220mm, 1.8m 141 mm Ø 4,5 mm

lg. 150 mm

10 mm

Contact **t₆₃** **Ref.**



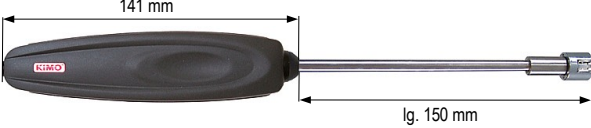
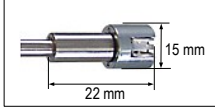

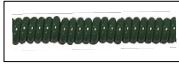
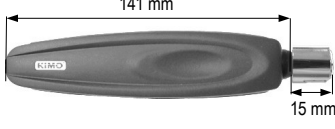
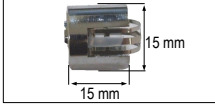


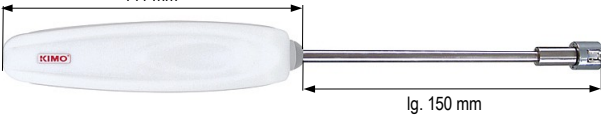
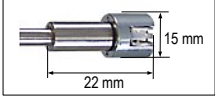


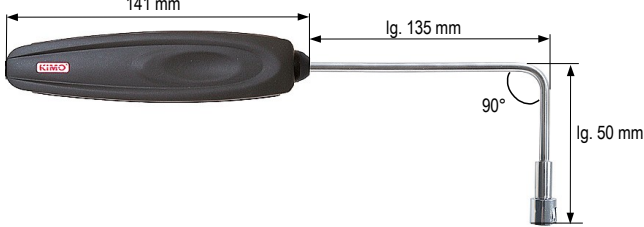
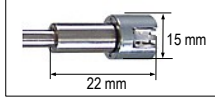
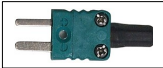

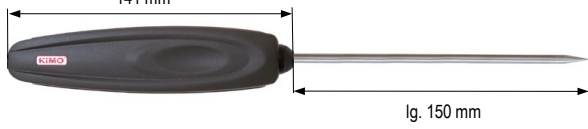

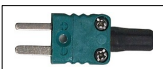



Thermocouple K
Class 1 (IEC 584-3 guideline). -50 ~ +250 25 sec. **SKC 150**

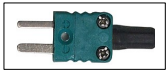


ABS (-40 ~ +85)

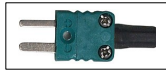

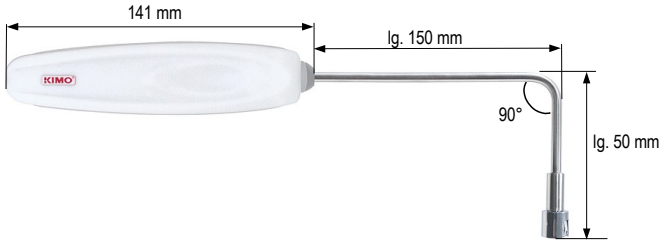
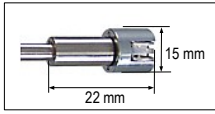
male 220mm, 1.8m 141 mm lg. 150 mm



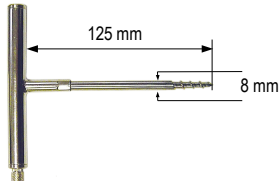
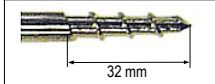
15 mm



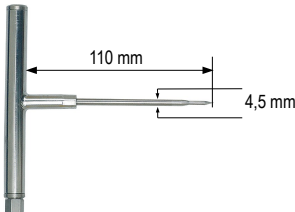
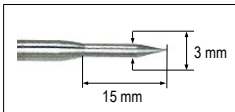
22 mm

				t_{63}	Ref.
<input type="checkbox"/>	+				
Thermocouple K Class 1 (IEC 584-3 guideline).		-50 ~ +250		4 sec.	SKCL 150
	ABS (-40 ~ +85)				
male		220mm, 1.8m	141 mm lg. 150 mm		15 mm 22 mm
<input type="checkbox"/>	(NO)				
Thermocouple K Class 1 (IEC 584-3 guideline).		-50 ~ +250		4 sec.	SKCL
	ABS (-40 ~ +85)				
male		220mm, 1.8m	141 mm 15 mm		15 mm 15 mm
<input type="checkbox"/>					
Thermocouple K Class 1 (IEC 584-3 guideline).		-50 ~ +250		4 sec.	SKCL 150 A
	ABS (-40 ~ +85)				
male		PVC 1m	141 mm lg. 150 mm		15 mm 22 mm
<input type="checkbox"/>					
Thermocouple K Class 1 (IEC 584-3 guideline).		-50 ~ +250		4 sec.	SKCLC 150
	ABS (-40 ~ +85)				
male		220mm, 1.8m	141 mm lg. 135 mm 90° lg. 50 mm		15 mm 22 mm
<input type="checkbox"/>	Penetration				
Thermocouple K Class 1 (IEC 584-3 guideline).		-50 ~ +250		10 sec.	SKP 150
	ABS (-40 ~ +85)				
male		220mm, 1.8m	141 mm lg. 150 mm		15 mm
<input type="checkbox"/>	With wire				
Thermocouple K Class 1 (IEC 584-3 guideline).		-50 ~ +250		5 sec.	FK-PFA-05-MM FK-PFA-1-MM FK-PFA-2-MM FK-PFA-5-MM FK-PFA-10-MM FK-PFA-25-MM
	visible welding				
male		1.6 x 2.2mm			

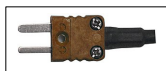
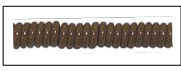
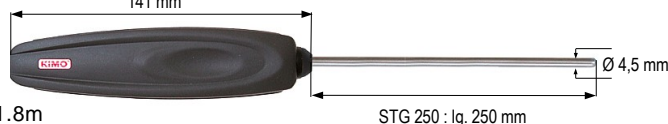

■ Velcro		Cable length	t ₆₃	Ref.
Thermocouple K Class 1 (IEC 584-3 guideline). 100mm()		-20 ~ +90	10 sec.	SKV 150 SKV 300 SKV 500
				
male	PVC 2m			

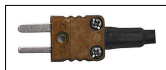



■ Angled contact with lamella			t ₆₃	Ref.
Thermocouple K Class 1 (IEC 584-3 guideline). ABS (-40 ~ +85)		-50 ~ +250	4 sec.	SKCLC 150 A
				
male	PVC 1m	141 mm lg. 150 mm 90° lg. 50 mm		15 mm 22 mm

■ Corkscrew			t ₆₃	Ref.
Thermocouple K Class 1 (IEC 584-3 guideline).		-50 ~ +250	10 sec.	SKT 125
				
male	2m	125 mm 8 mm		32 mm

■ Food penetration T			t ₆₃	Ref.
Thermocouple K Class 1 (IEC 584-3 guideline).		-50 ~ +250	8 sec.	SKT 125 A
				
male	1m	110 mm 4,5 mm		3 mm 15 mm

■ Thermocouple T

■ General use			t ₆₃	Ref.
Thermocouple T Class 1 (IEC 584-3 guideline). ABS (-40 ~ +85)		-50 ~ +250	12 sec.	STG 250
				
male	220mm,	141 mm 1.8m STG 250 : lg. 250 mm Ø 4,5 mm		

■ With wire		Cable length	t ₆₃	Ref.
Thermocouple T Class 1 (IEC 584-3 guideline). Visible welding.		-50 ~ +250	5 sec.	FT-PFA-05-MM FT-PFA-1-MM FT-PFA-2-MM FT-PFA-5-MM FT-PFA-10-MM FT-PFA-25-MM
				
male	1.6 x 2.2mm	FT-PFA-05-MMlg. 0,5 m FT-PFA-1-MMlg. 1 m FT-PFA-2-MMlg. 2 mm FT-PFA-5-MMlg. 5 m FT-PFA-10-MMlg. 10 m FT-PFA-25-MMlg. 25 m		

General use **t₆₃** **Ref.**

Thermocouple T
Class 1 (IEC 584-3 guideline).
-50 ~ +250

STG 150 A : lg. 150 mm
STG 250 A : lg. 250 mm

12 sec. **STG 150 A**
STG 250 A

ABS (-40 ~ +85)
Compensated miniature male plug
PVC cable 1 m

Ambient **t₆₃** **Ref.**

Thermocouple T
Class 1 (IEC 584-3 guideline).
-50 ~ +250

10 sec. **STA 150 A**

ABS (-40 ~ +85)
male
PVC 1m

Penetration **t₆₃** **Ref.**

Thermocouple T
Class 1 (IEC 584-3 guideline).
-50 ~ +250

10 sec. **STP 150 A**

ABS (-40 ~ +85)
male
PVC 1m

Corkscrew **t₆₃** **Ref.**

Thermocouple T
Class 1 (IEC 584-3 guideline).
-50 ~ +250

10 sec. **STT 125**

ABS (-40 ~ +85)
male
PVC 2m

Food penetration T **t₆₃** **Ref.**

Thermocouple T
Class 1 (IEC 584-3 guideline).
-50 ~ +250

8 sec. **STT 125 A**

ABS (-40 ~ +85)
male
PVC 1m

Extensions

For Thermocouple K **Ref.**

Extension cable for thermocouple K
Class 1 with compensated miniature plug and socket.

K

CD-K-PB-1.5-CMM-CMF : Length 1,5 m
CD-K-PB-3-CMM-CMF : Length 3 m
CD-K-PB-5-CMM-CMF : Length 5 m

CD-K-PB-1.5-CMM-CMF
CD-K-PB-3-CMM-CMF
CD-K-PB-5-CMM-CMF

For Thermocouple T **Ref.**

Extension cable for thermocouple T
Class 1 with compensated miniature plug and socket.

T

CD-T-PB-1.5-CMM-CMF : Length 1,5 m
CD-T-PB-3-CMM-CMF : Length 3 m
CD-T-PB-5-CMM-CMF : Length 5 m

CD-T-PB-1.5-CMM-CMF
CD-T-PB-3-CMM-CMF
CD-T-PB-5-CMM-CMF